

Angular Contact Ball Bearings

Bearing No. : **NACHI 7238DF**

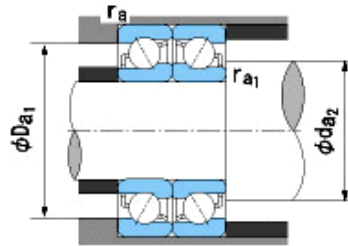
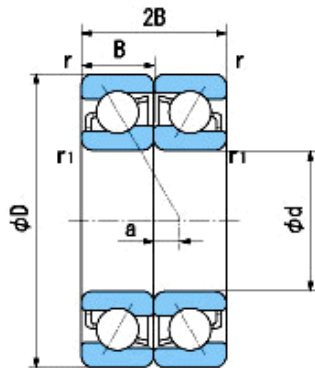
■ Bearing Type

■ Clearance

■ Tolerance Class

Dimensions

d = 190⁰_{-0.030}
 D = 340⁰_{-0.040}
 B = 55⁰_{0.000}
 r = 4~6.5
 (Radial Direction)
 r = 4~9
 (Axial Direction)
 r1 = 1.5~3
 (Radial Direction)
 r1 = 1.5~5
 (Axial Direction)
 a = 49



Dimensions

da1(min) = 208
 da2(min) = 199
 Da1(max) = 322
 Da2(max) = 331
 ra(max) = 3
 ra1(max) = 1.5
 Mass = 43 kg

Basic Dynamic Load Rating Cr : **510,000** N
 Basic Static Load Rating Cor : **825,000** N
 Limiting Speed ;
 Grease Lubrication : **1,300** min⁻¹
 Oil Lubrication : **1,700** min⁻¹

	INNER RING	OUTER RING
O.D.Surface Runout with Side :		-
Axial Runout with Bore :	-	-
Axial Runout with Raceway :	-	-
Width Variation :	0.030	0.030
Radial Runout :	0.040	0.070